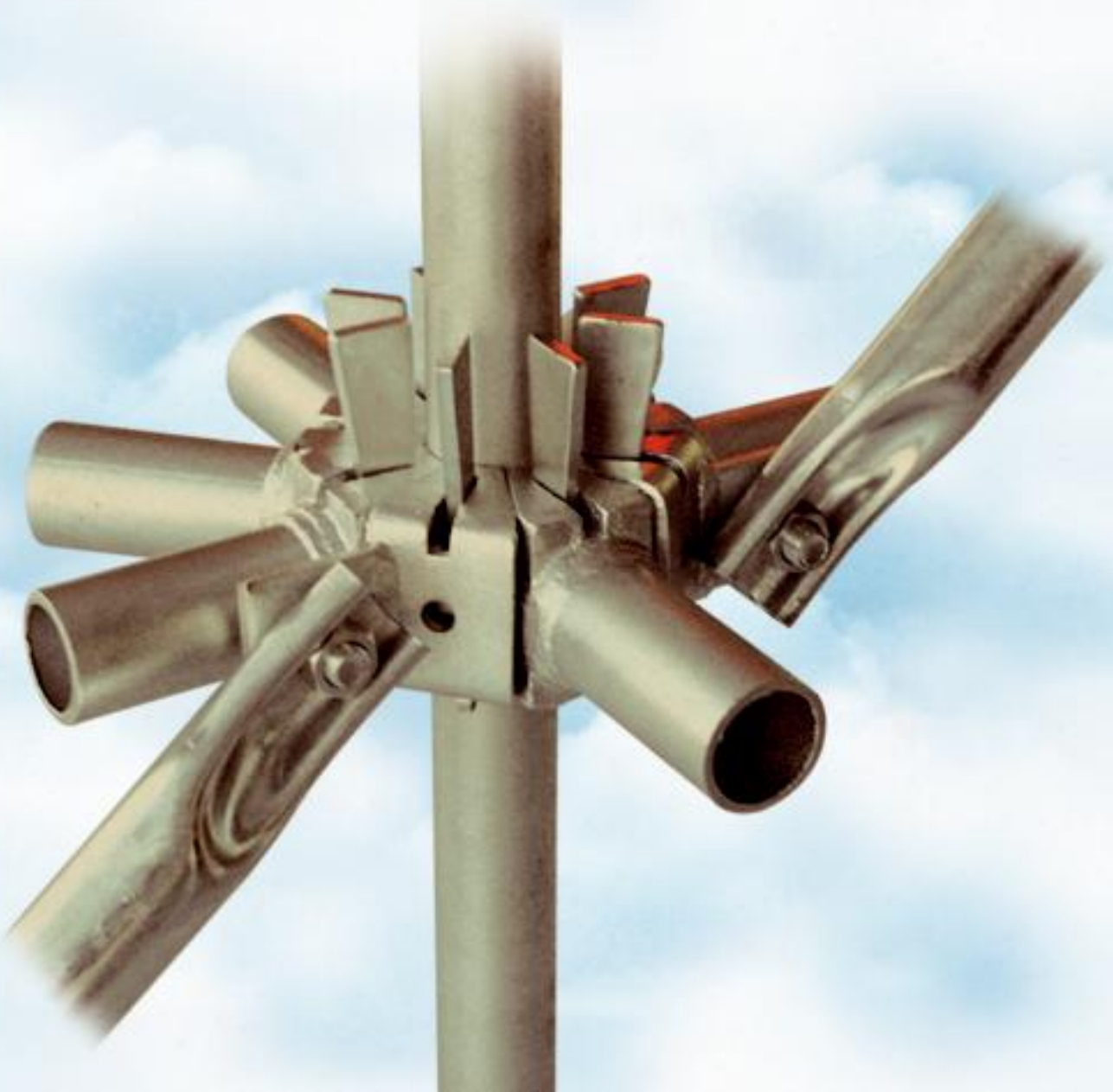


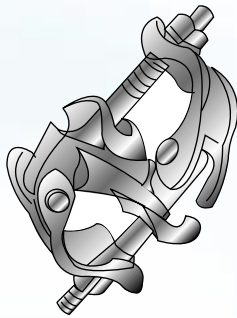


**K H K SCAFFOLDING  
& FORMWORK L.L.C.**

# **K-Ring Access Scaffold**

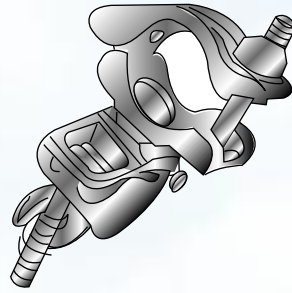


# K-Ring Access Scaffold



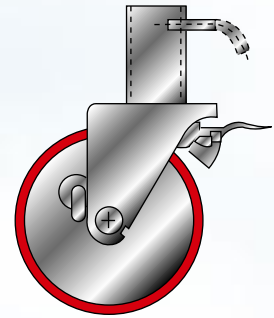
**K-RING RIGHT ANGLE CLAMP**

Weight - 1.25 kg



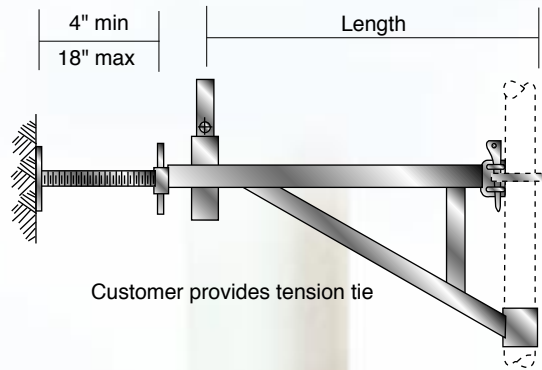
**K-RING SWIVEL CLAMP**

Weight - 1.25 kg



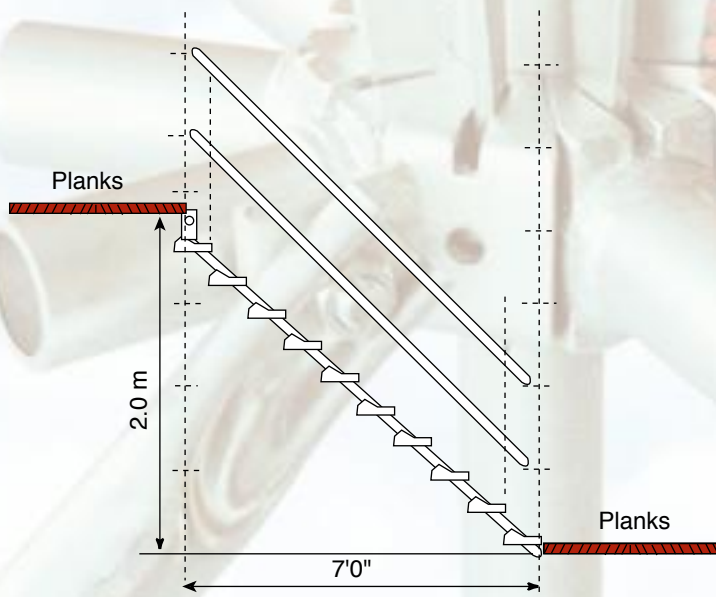
**K-RING CASTERS**

- 8" Steel Caster - Wt. 5.7 kg.
- 8" Synthetic Rubber Tread Caster - Wt. 6.7 kg.
- 8" Polyurethane Tread Caster - Wt. 6.6 kg.



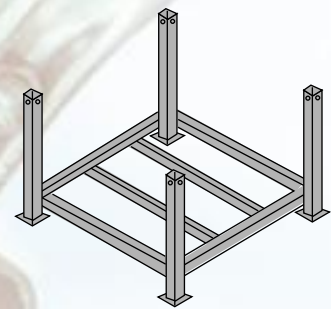
**K-RING SIDE BRACKET and WALL TIE COMBINATION**

Description	Two Board	Three Board
Weight - kg.	7.7	10



**K-RING STAIRWAY**

Weight - 152 kg.



**K-RING SCAFFOLD RACK**

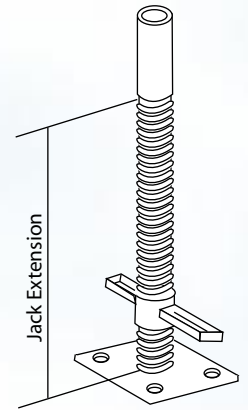
Weight - 50 kg.

# K-Ring Access Scaffold

## Allowable loads for K-Ring components

### UNIVERSAL AND BASE JACKS

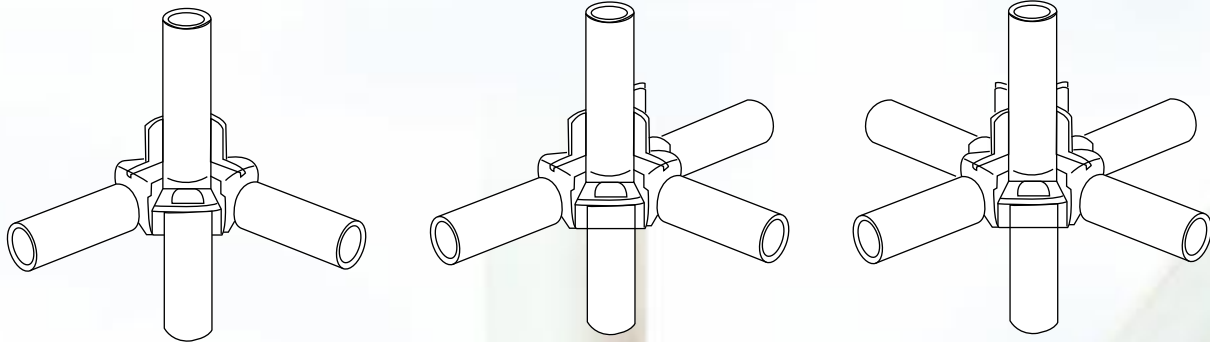
EXTENSION OF JACK	ALLOWABLE LOAD
300 mm	5114 kg.
380 mm	4886 kg.
450 mm	3568 kg.



Note: The allowable loads given are based on a safety factor of 4:1 on testing to ultimate failure.

### VERTICAL COMPONENTS

Allowable compressive load when used as a Access Scaffold.



CENTRE OF HORIZONTAL MEMBERS	2 HORIZONTAL MEMBERS	3 HORIZONTAL MEMBERS	4 HORIZONTAL MEMBERS
(2.0M)	2590 kg.	2870 kg.	3340 kg.

Note: 1 The allowable loads given are based on a safety factor of 4:1 on testing to ultimate failures.  
2 The allowable loads are only valid if the Access Scaffold is adequately braced to prevent horizontal movement.

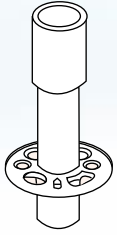
### Testing and Information

The loading information specified in this catalogue has been based on results of extensive test conducted at the Department of Construction Technology, University of Purdue, Calument, Hammond, Indiana and Department of Civil Engineering, at Texas A & M University. The photograph shows KHK 'K' Ring' System erected as a 9 leg tower under test. The centre leg in this test failed in buckling at a load of 13350 kg. (Horizontals at 2.0m Centres). Photograph by courtesy of Dr. Harry L. Jones, Associate Professor of Engineering (Texas A & M University)

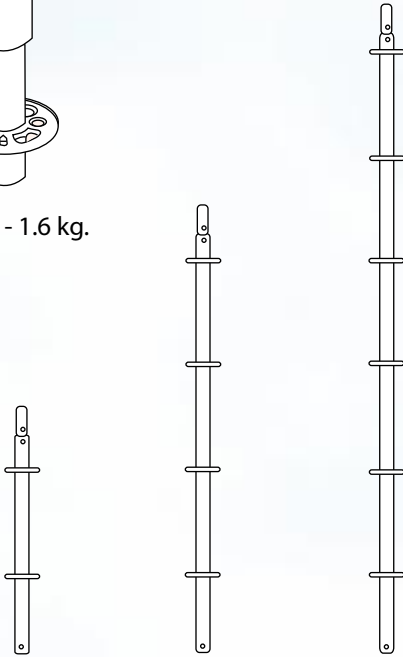


# K-Ring Access Scaffold

## K-RING BASE COLLAR



Weight - 1.6 kg.



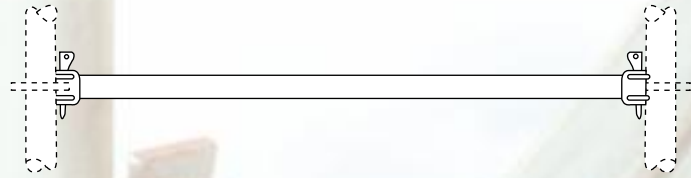
## K-RING STANDARDS

<b>Length m</b>	1.0	2.0	3.0
<b>Weight - kg.</b>	5	9.6	14.5

Note: Other sizes of K-Ring standards are available upon request.

## K-RING LEDGERS

Rigid and secure, like the rest of the K-Ring systems, require only a hammer for assembly.

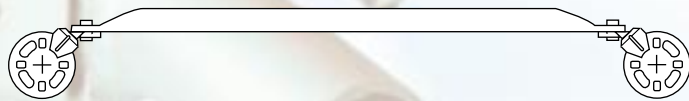


<b>Length of Bay*</b>	2'2"	3'10"	5'2"	7'0"	10'0"
<b>Weight - kg.</b>	3.1	4.9	5.7	8.4	11.8

Note: Other sizes of K-Ring ledgers are available on request.

## K-RING BRACES

Lock quickly, easily and securely into position, with no bolts, nuts or clamps



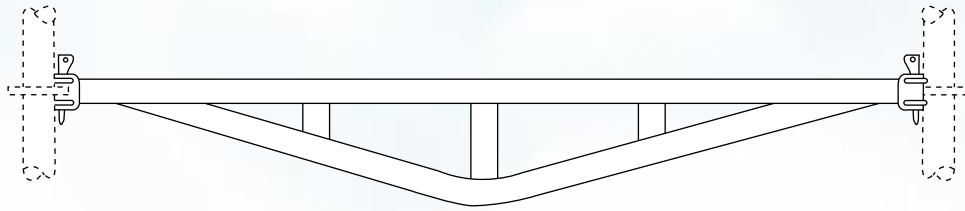
<b>Length of Bay*</b>	3'10"	5'2"	7'0"	10'0"
<b>Weight - kg.</b>	7.3	8.0	8.7	10.5

Note: Other sizes of K-Ring ledgers are available on request.

\* Ledger and Brace lengths are effective lengths, centre to centre of standards.

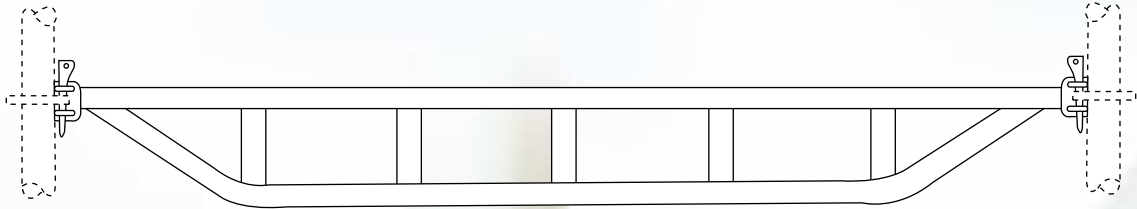
# K-Ring Access Scaffold

## K-RING HORIZONTAL TRUSSES



<b>Length of Bay*</b>	6' 0"	7'0"	8'0"
<b>Weight - kg.</b>	8.4	11.1	16.7

Note: Other sizes of K-Ring trusses are available upon request.



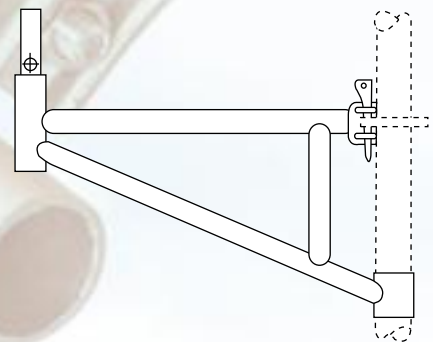
## K-RING DOUBLE LEDGERS

<b>Length of Bay*</b>	7'0"	10'0"
<b>Weight - kg.</b>	14	22.7

## K-RING SIDE BRACKETS

SIDE BRACKETS ARE AVAILABLE IN THREE SIZES

- 1 Board Side Bracket 9 5/8" wide
- 2 Board Side Bracket 21" wide
- 3 Board Side Bracket 31 1/8" wide



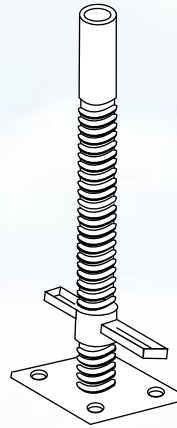
<b>Length of Bay</b>	8"	21"	31 1/8"
<b>Weight - kg.</b>	1.7	6.4	8.5

\* Horizontal truss & double ledger lengths are effective lengths, centre to centre of standards.

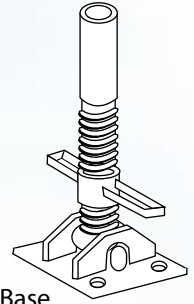
# K-Ring Access Scaffold

## K-RING SCREW JACK

Screw jack has a special self cleaning, low maintenance, quick spin thread.

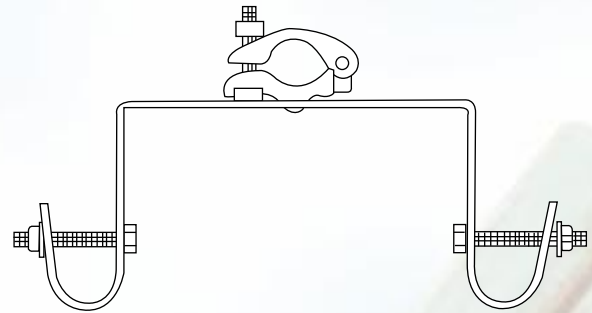
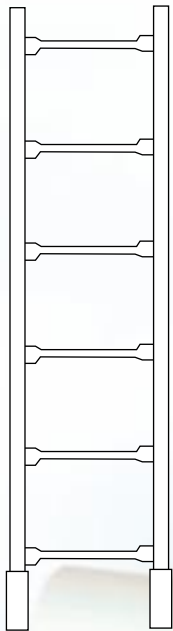


Screw Jack



Swivel Base

<b>Length</b>	760 mm	860 mm
<b>Weight -kg.</b>	4.4	5



## K-RING LADDER BRACKET

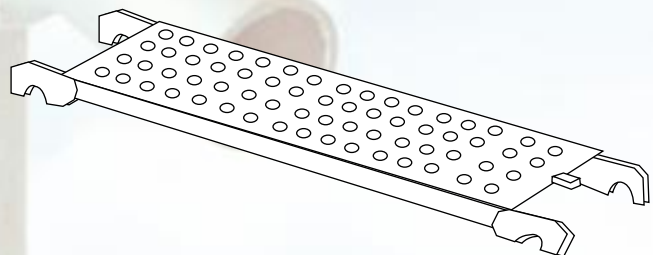
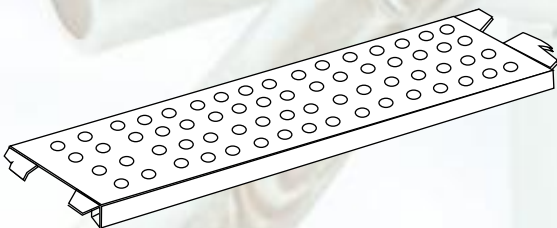
Weight - 2.3 kg.

Bracket is used to secure the ladder to the vertical

## K-RING LADDERS

Tubular type steel ladders

<b>Length</b>	1.0 m	2.0 m	3.0 m
<b>Weight - kg.</b>	8.9	12.6	22



## K-RING GALVANIZED STEEL PLANKS

<b>Length</b>	5'0"	7'0"	10'0"
<b>Weight - kg.</b>	7.3	13.1	19

Note: Steel planks are available with hook type or plain ends, and others.

## K-Ring Access Scaffold

**KHK 'K-Ring'** is a proven multi-purpose scaffold system which can be used for all forms of access and support structures in the building and construction industries, ship building, offshore construction and industrial maintenance.

**Speed of Erection.** 'K-Ring' provides major savings in erection and dismantling time thus minimizing on-site costs. When not in use, its modular construction ensures minimal space requirement for storage.

**Simplicity.** The unique 'K-Ring' Rosette allows up to 4 Horizontals and 4 Braces to be secured to a single Rosette at one level by simply hammering the captive wedge lock pin into place.

**Versatility.** 'K-Ring' is extremely versatile. It can be erected for straight, curved or circular configuration for both access and support, and also for independent and mobile towers.

**Strength.** Both vertical and horizontal members are manufactured from 1.90" o/dia x 10 gauge high strength steel tubing with a minimum yield strength of 50,000 lbs/inch<sup>2</sup> and a minimum ultimate tensile strength of 75,000 lbs/inch<sup>2</sup>.

**Durability.** There are no loose components on the 'K-Ring' System that can be lost or requires maintenance. All components are Hot Dipped Galvanized Finish with a minimum Zinc coating of 85 microns.



**ROSETTE**



**LEDGER END**



**LEDGER END CASTING**



# K H K SCAFFOLDING & FORMWORK L.L.C.

## Head Office:

New Industrial Area  
P.O.Box: 2701, Ajman-U.A.E  
Tel: +971-6-7439013, Fax: +971-6-7439017  
E-mail: khkscaf@emirates.net.ae, Website: www.khk-scaffolding.com

## Branches :

### **A-Val Metal Resources, Inc.**

5925, Airport Road, Suite 200, Airway Centre,  
Mississauga L4V 1W1, Ontario, Canada  
Tel.: 001 905 405 6245, Fax: 001 905 672 8630  
email : khk@avalmetal.com or hasiha@khk-scaffolding.com

### **Brisko Scaffolding Limited**

120 South lane New Malden  
Surrey KT3 SEL England  
Tel.: 0044 - 20 - 83364595  
Fax: 0044 - 20 - 83364596

### **Prime Metal CORPORATION - USA**

653 Route 52, Walden NY 12586  
United States of America  
Tel.: 001 - 845 - 778 4545  
Fax: 001 - 845 - 778 4218

### **Winston Scaffolding Pty Ltd.**

44-46 Gould Street  
South Strathfield, N.S.W. 2136  
Tel.: 00 - 02 - 97588700  
Fax: 00 - 02 - 97587263

